



**KLT Carbide Co., Ltd**

Headquarters

Add:5<sup>th</sup> Floor, No. 233, Jinke Road South, Jinniu District, Chengdu, China

Tel: 86-28-87593029      Fax: 86-28-87593050

Website: <http://www.klt.com.cn>

E-mail: [ovseatrade@klt.com.cn](mailto:ovseatrade@klt.com.cn)

KLT Carbide USA, Inc

Add:8750 Fawn Trail, Suite 200, Conroe, TX77385

Tel: (936) 271-3315      Fax: (936) 271-3324

Website: <http://www.klt-usa.com>

E-mail: [Info@klt-usa.com](mailto:Info@klt-usa.com)



**VALVE PARTS**

**KLT Carbide Co.,Ltd.**



## Grades & application for flow control valve parts

Grade	Co (wt %)	Density (g/cm <sup>3</sup> )	Hardness (HRA)	TRS (≥N/mm <sup>2</sup> )	Applications
KC100	5.8~6.2	14.6~15.0	91.5~92.5	2000	Wear-resistant
KC101	5.8~6.2	14.6~15.0	91.5~92.5	2500	
KC200	7.8~8.2	14.5~14.9	91.0~92.0	2100	
KC201	7.8~8.2	13.5~14.9	91.0~92.0	2800	
KC300	9.8~10.3	14.2~14.6	90.5~91.5	2600	
KC301	9.8~10.3	14.2~14.6	90.5~91.5	3200	
Grade	Ni (wt %)	Density (g/cm <sup>3</sup> )	Hardness (HRA)	TRS (≥N/mm <sup>2</sup> )	Applications
KN100	6.5~7.5	14.5~14.8	88.5~91.0	1800	Corrosion-resistant
KN101	6.5~7.5	14.5~14.8	88.5~91.0	2200	
KN300	10.0~11.0	14.2~14.6	86.5~89.5	2100	
KN301	10.0~11.0	14.2~14.6	86.5~89.5	2400	

### Valve parts for flow control

Valve parts can be used in float control pumps for oil and gas and some other hostile environment. Mediums include gas, water, oil, sand, wax, gum, asphalt and etc.

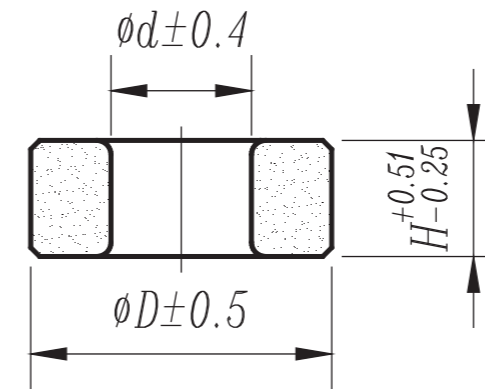
#### Type

- ◆ Plates for Throttle valves
- ◆ Valve plugs and valve bodies for pin valve control
- ◆ Seats for throttle valves



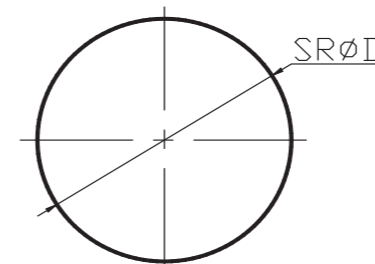
- ◆ Balls and seats

### ◆ Seats



Seats dimension (mm)		
D	d	H
19.48	11.68	12.7
22.66	13.97	12.7
28.22	17.02	12.7
33.81	20.96	12.7
36.09	24.38	12.7
41.43	26.92	12.7
48.79	33.27	12.7
74.93	43.18	19.05

### ◆ Balls

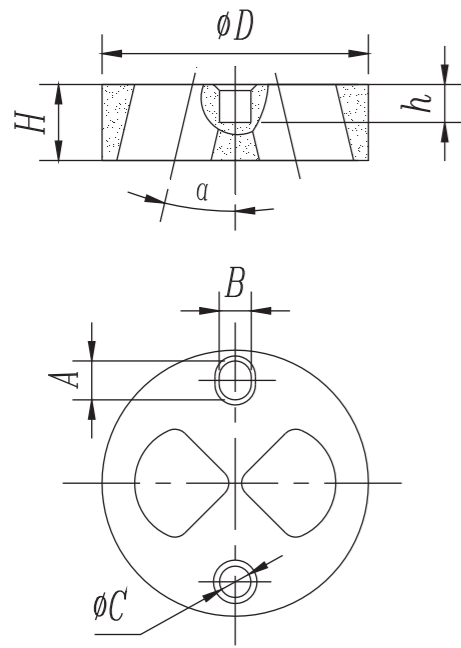


Balls dimension(mm)
$D \pm 1.27$ (mm)
15.88
19.05
23.83
28.58
31.75
34.93
42.88
57.15

Note: Additional parameters: ball circularity  $\leq 0.0001$  inch (.003mm); surface roughness  $\leq 5RA$ ; for balls within 2 inches in diameter, tolerance is  $\pm 0.001$  inch ( $\pm 0.025$ mm); for balls which have diameter equal to or larger than 2 inches, tolerance is  $\pm 0.002$  inch ( $\pm 0.025$ mm).



◆ Plates for throttle valves

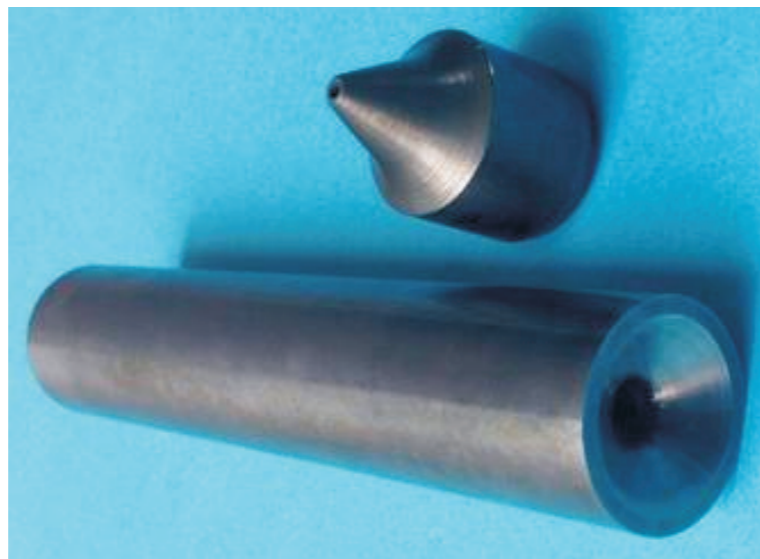
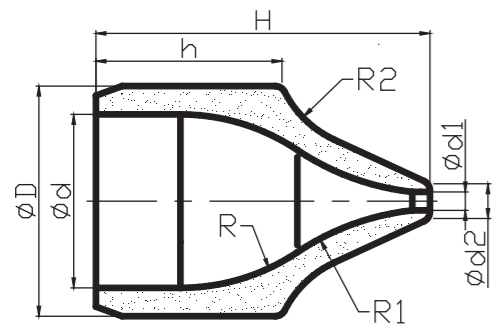


Plates for throttle valves Dimension (mm)					
D	H	A	B	C	h
44.5	12.5	6.0	5.0	5.0	6.0

Note:  $\alpha = 10^\circ \sim 13^\circ$

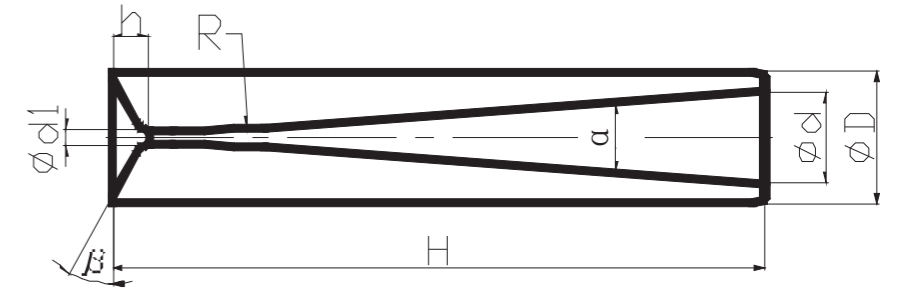
◆ Nozzles for jet pumps

Type A



Type A nozzle dimension (mm)					
D	d	H	h	d1	d2
21.0	16.0	29.0	16.8	3.0	4.0

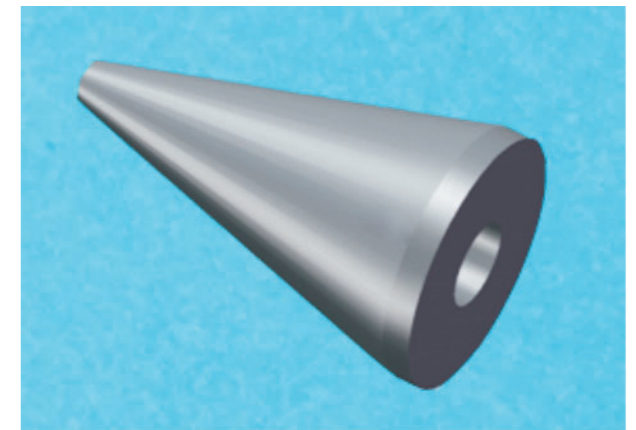
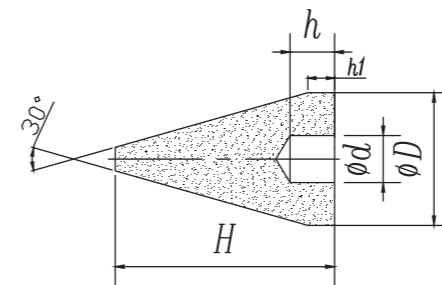
Type B



Type B nozzle dimension (mm)				
D	d	H	d1	h
22.5	15.6	113.5	3.4~7.5	6.8~9.0

Note:  $\alpha = 5.5^\circ \sim 7.5^\circ$   
 $\beta = 30^\circ$

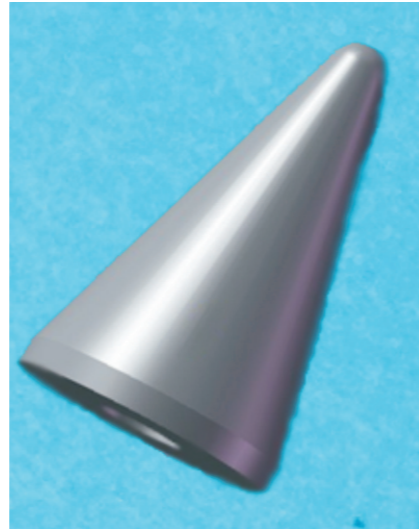
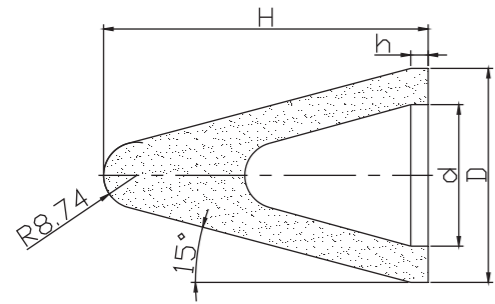
◆ Valve plugs and valve bodies for pin valve control



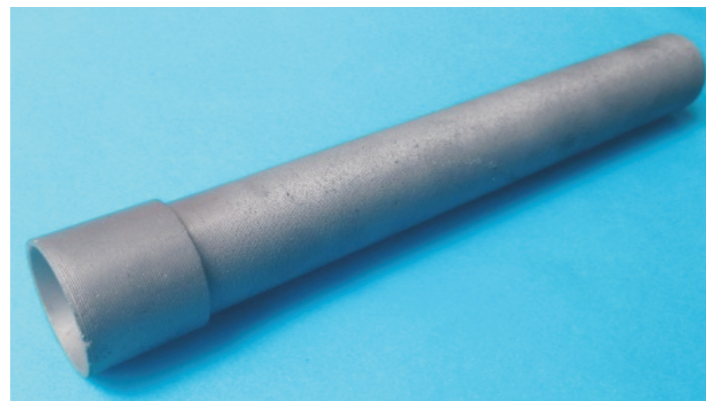
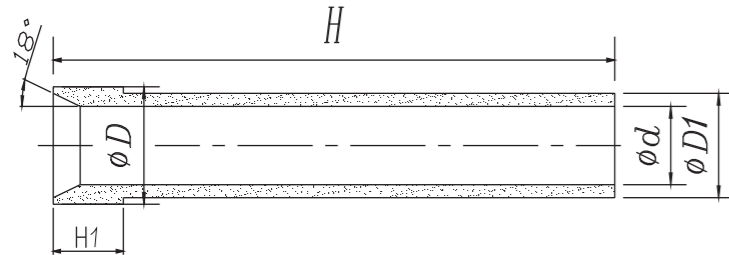
Dimension (mm)				
D	d	H	h	h1
28.6	9.65	47.8	9.65	3.35
26.3	8.9	42.2	8.9	3.2



◆ Seats of choke valves



Dimension (mm)			
D	d	H	h
56.4	37.3	85.5	4.6



Dimension (mm)				
D	D1	d	H	H1
28.57	25.4	19.05	203.2	25.4
28.57	25.4	20.95	149.23	25.4



Figure	Dimension (mm)		
	D	d	H
	40~ 100	25~ 60	65~ 120